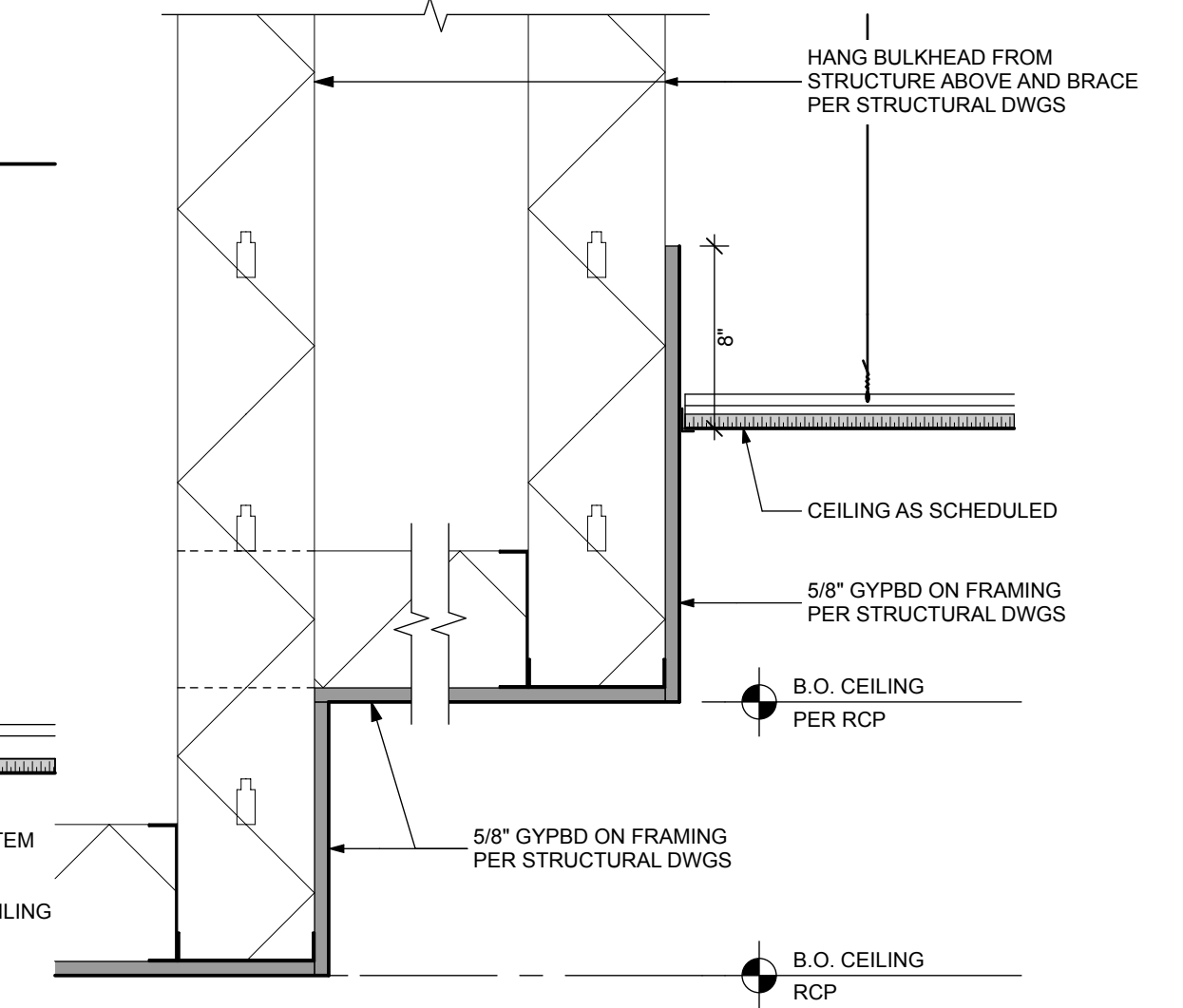
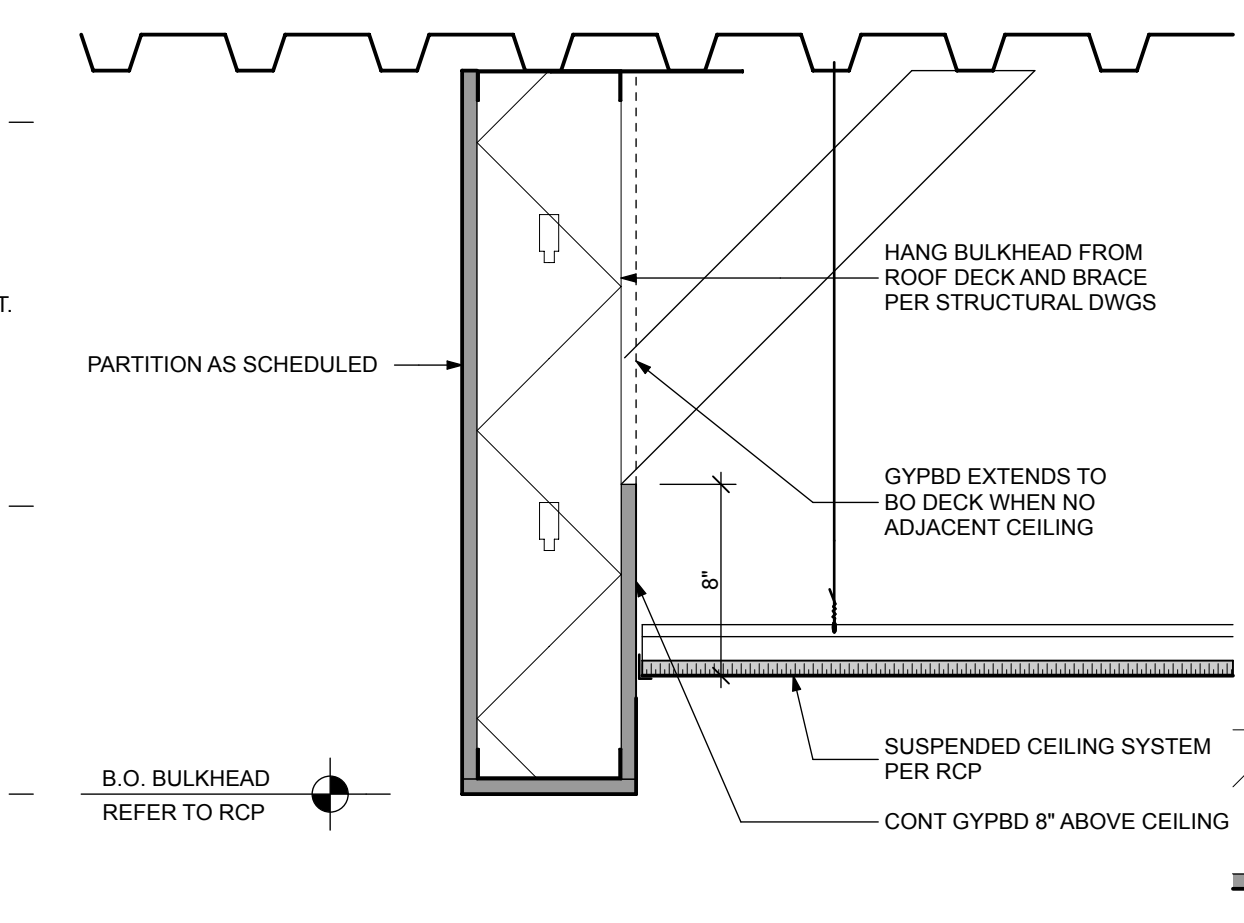


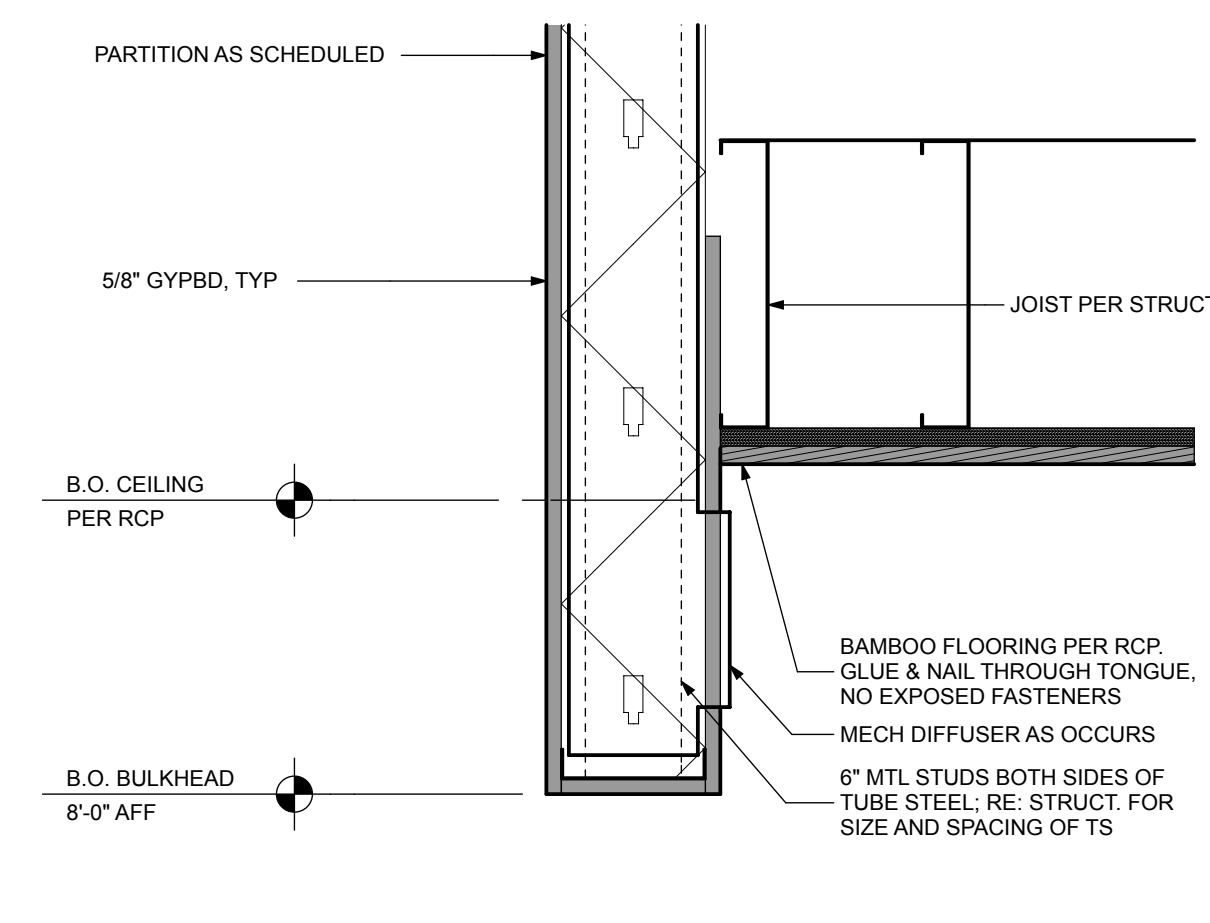
**6 GYP.BD. CONTROL JOINTS**  
 NOT TO SCALE



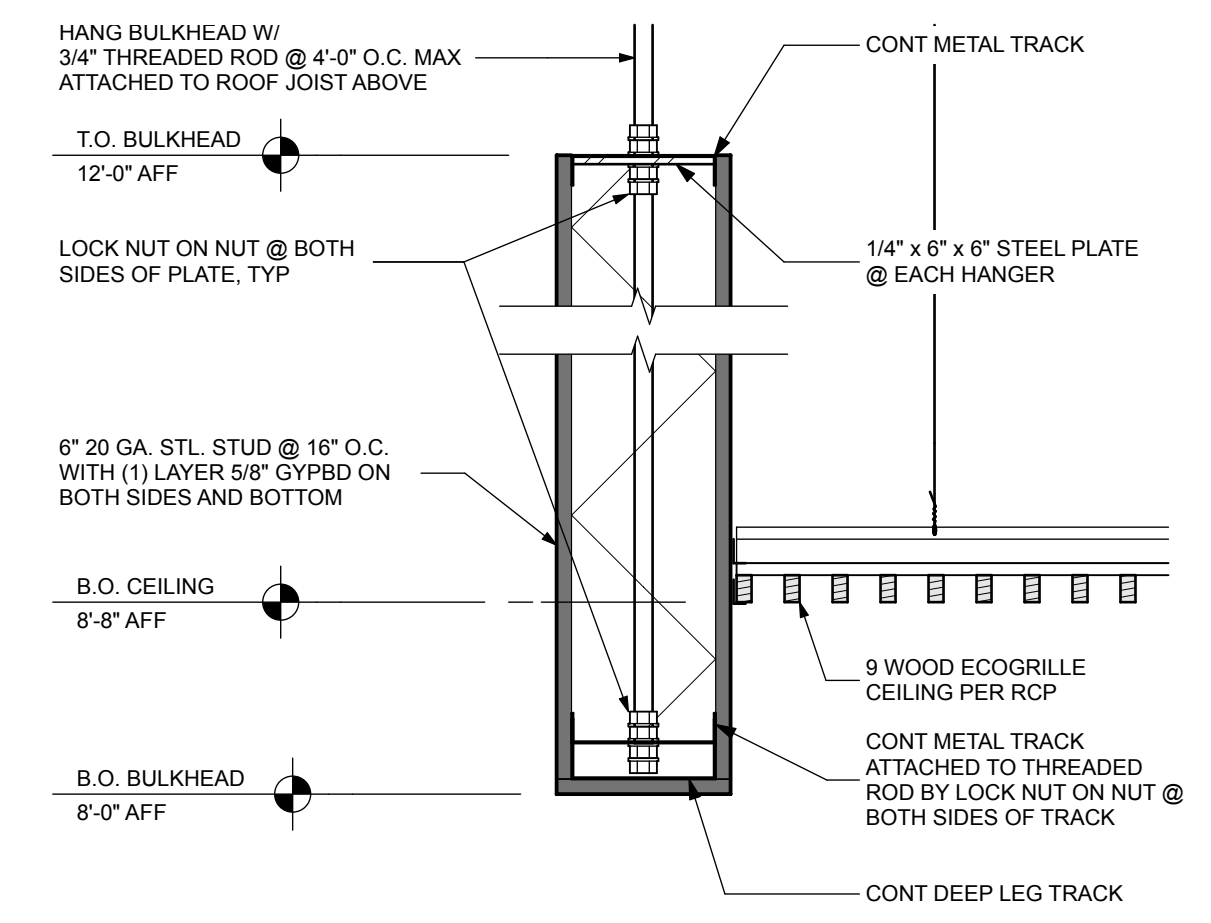
**5 SOFFIT @ KITCHEN**  
 SCALE: 1 1/2" = 1'-0"



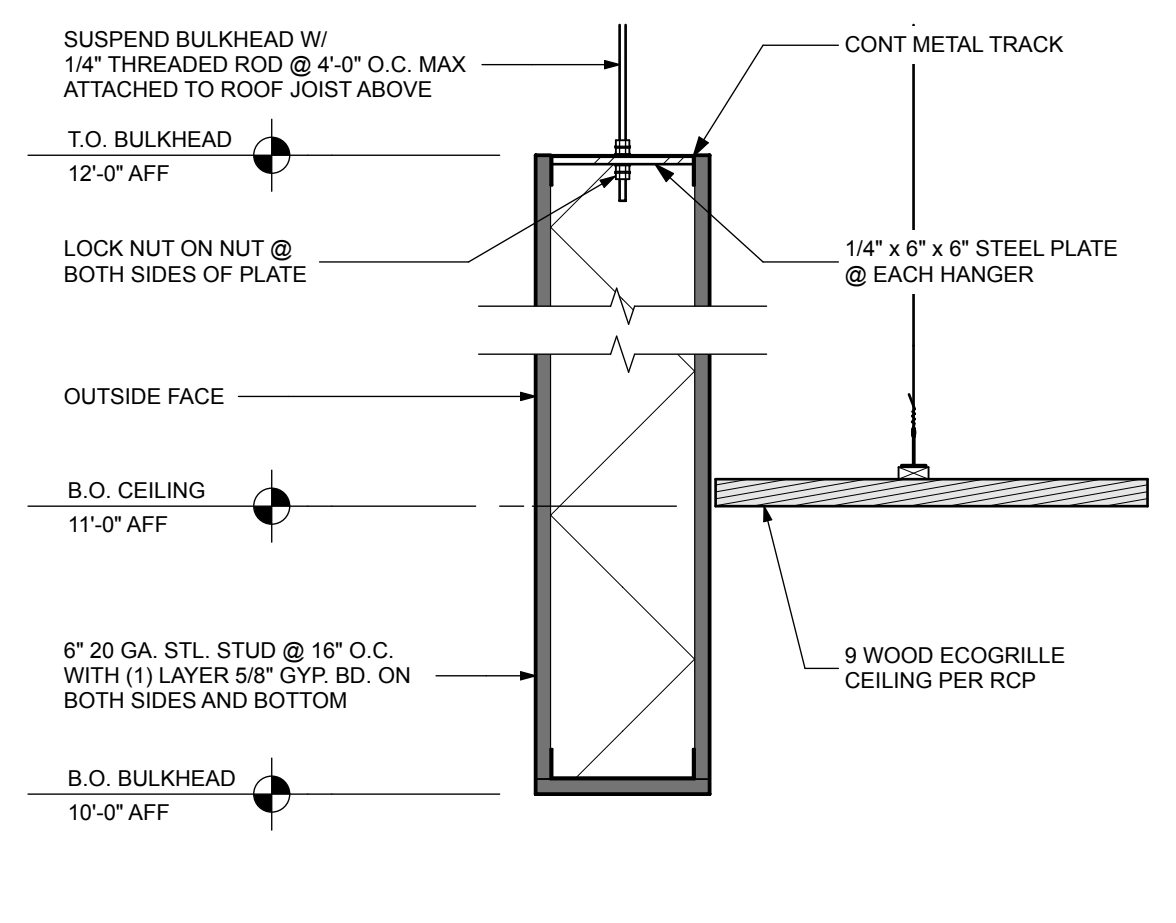
**7 TYPICAL BULKHEAD**  
 SCALE: 1 1/2" = 1'-0"



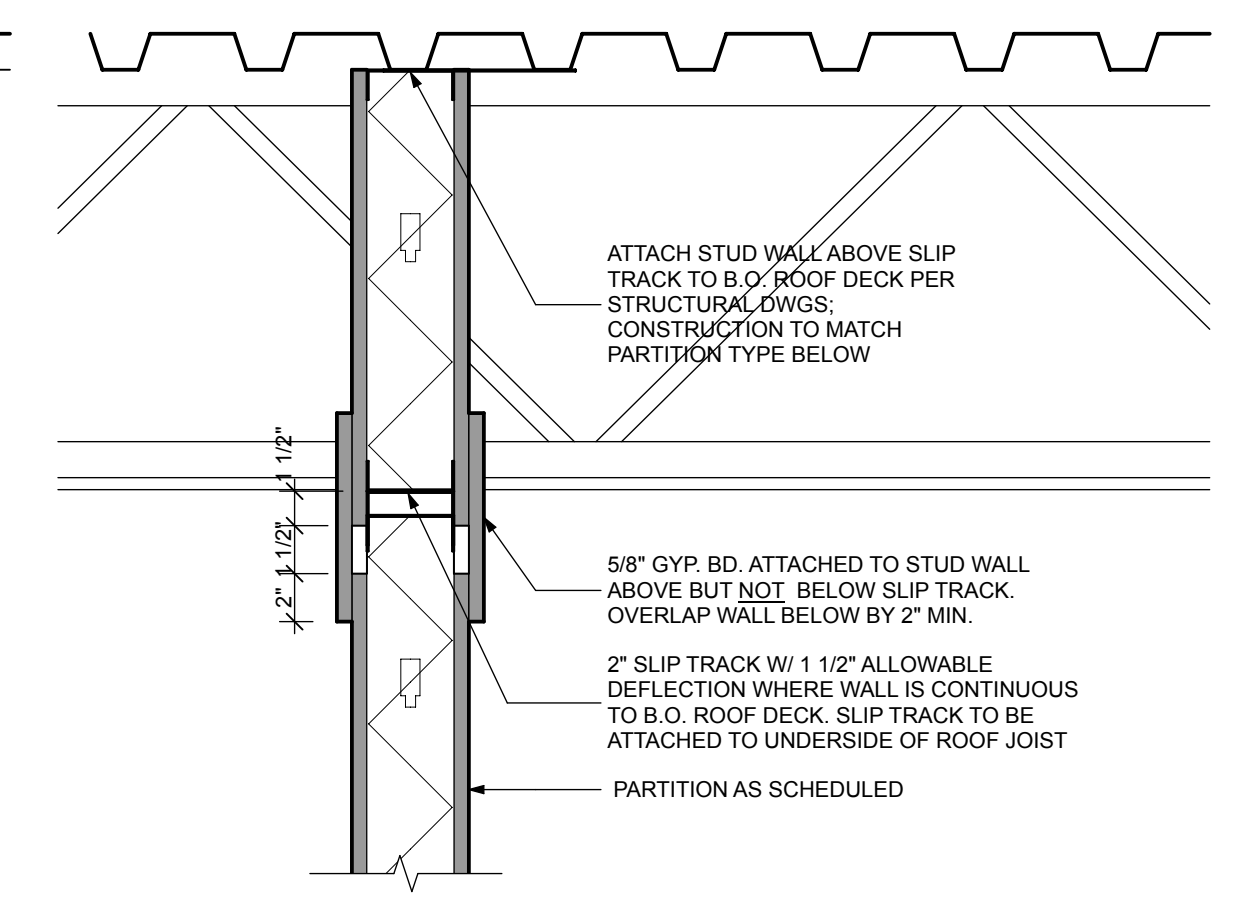
**8 BULKHEAD @ HABA**  
 SCALE: 1 1/2" = 1'-0"



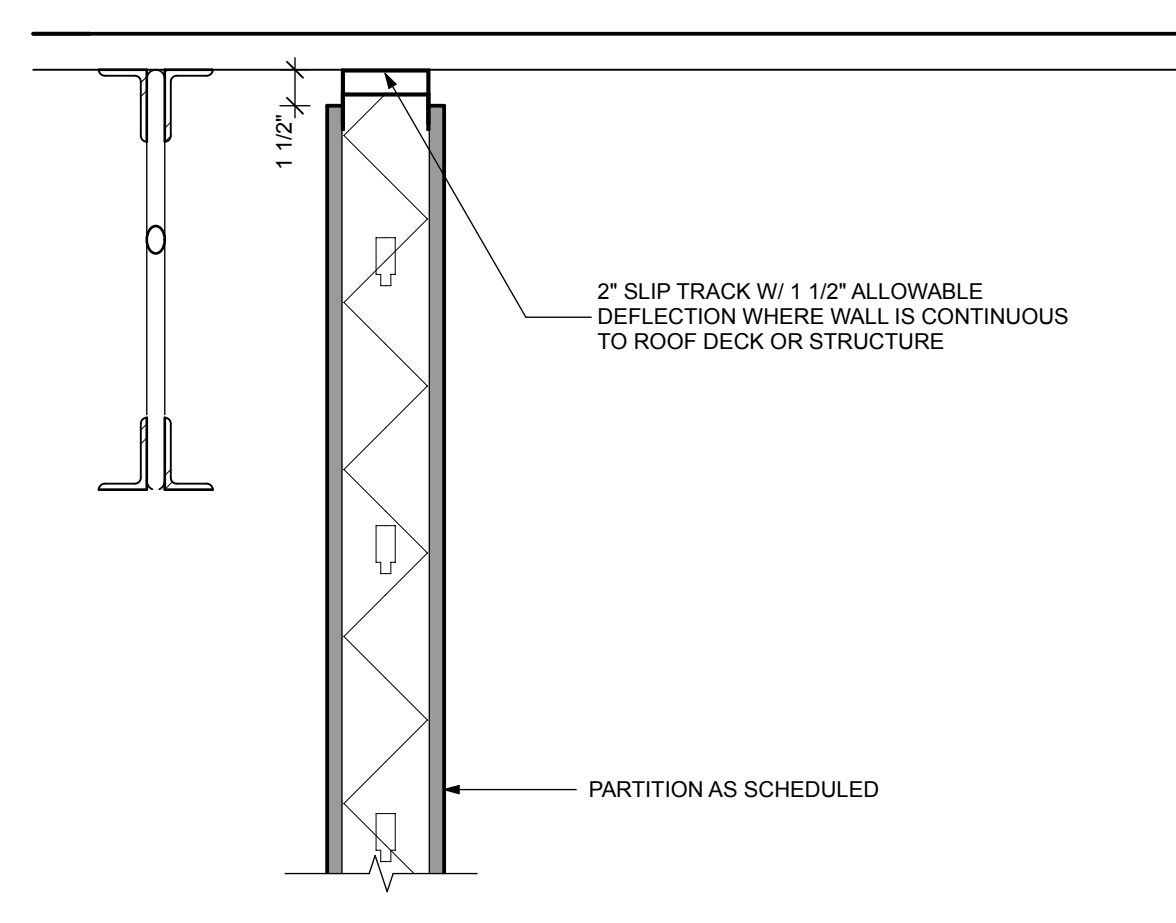
**9 BULKHEAD @ PRODUCE**  
 SCALE: 1 1/2" = 1'-0"



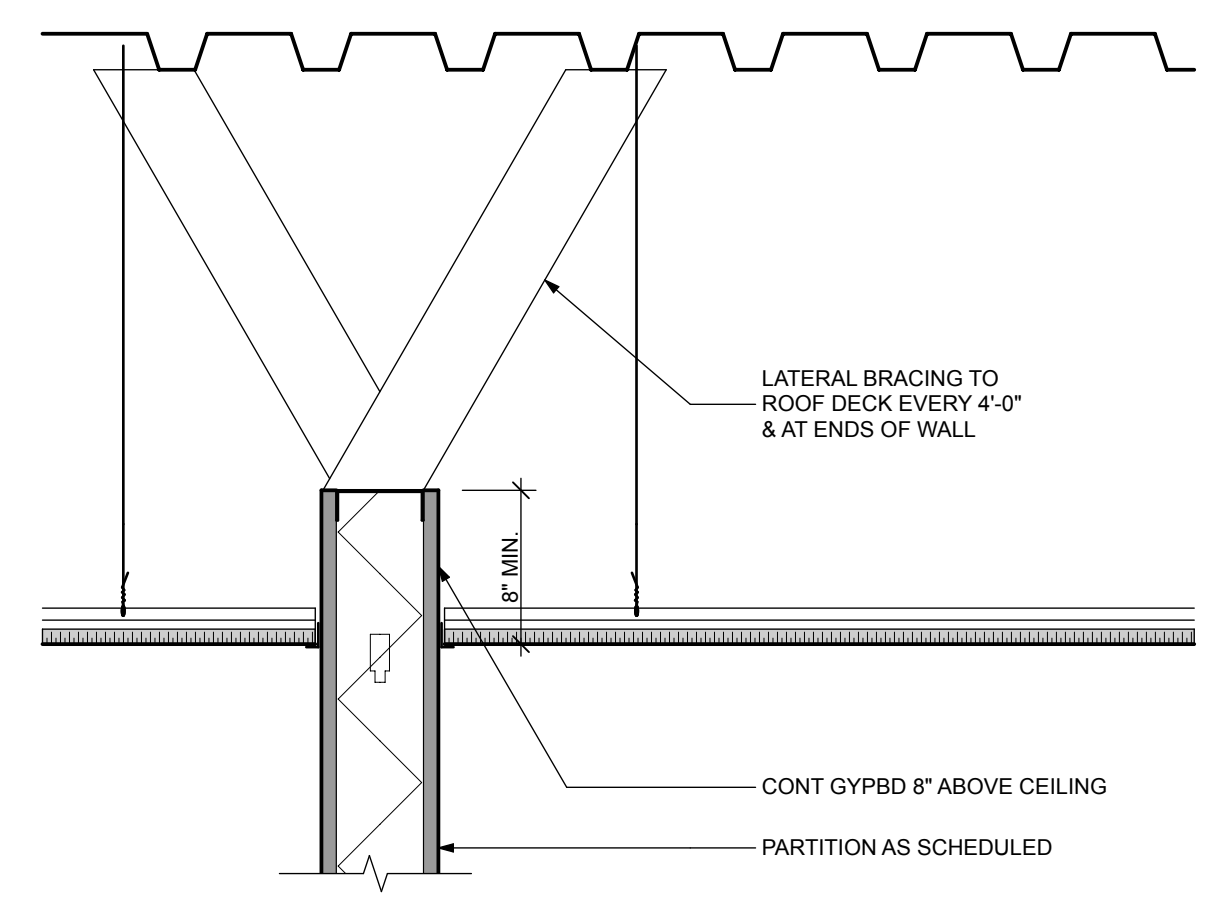
**10 BULKHEAD @ VITAMINS**  
 SCALE: 1 1/2" = 1'-0"



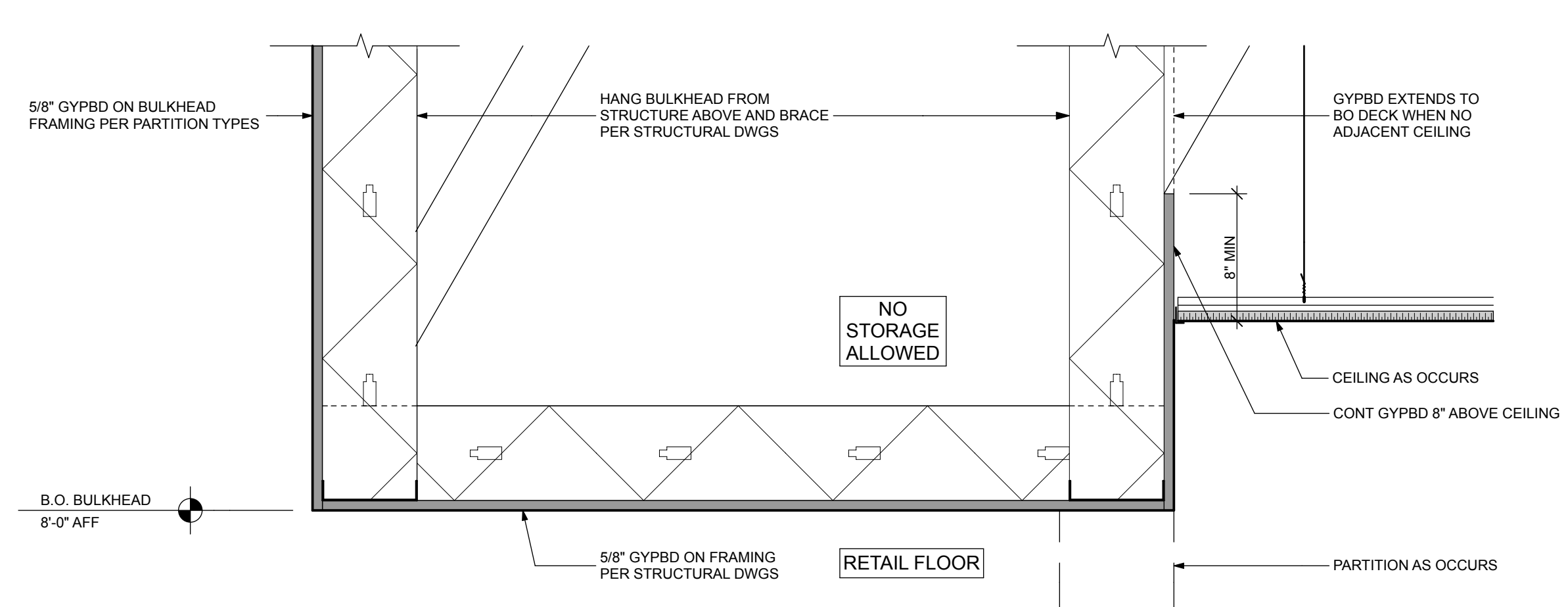
**1 HEAD PERPENDICULAR TO JOIST**  
 SCALE: 1 1/2" = 1'-0"



**2 HEAD PARALLEL TO JOIST**  
 SCALE: 1 1/2" = 1'-0"



**3 TYPICAL HEAD @ CEILING**  
 SCALE: 1 1/2" = 1'-0"



**4 TYPICAL SOFFIT**  
 SCALE: 1 1/2" = 1'-0"